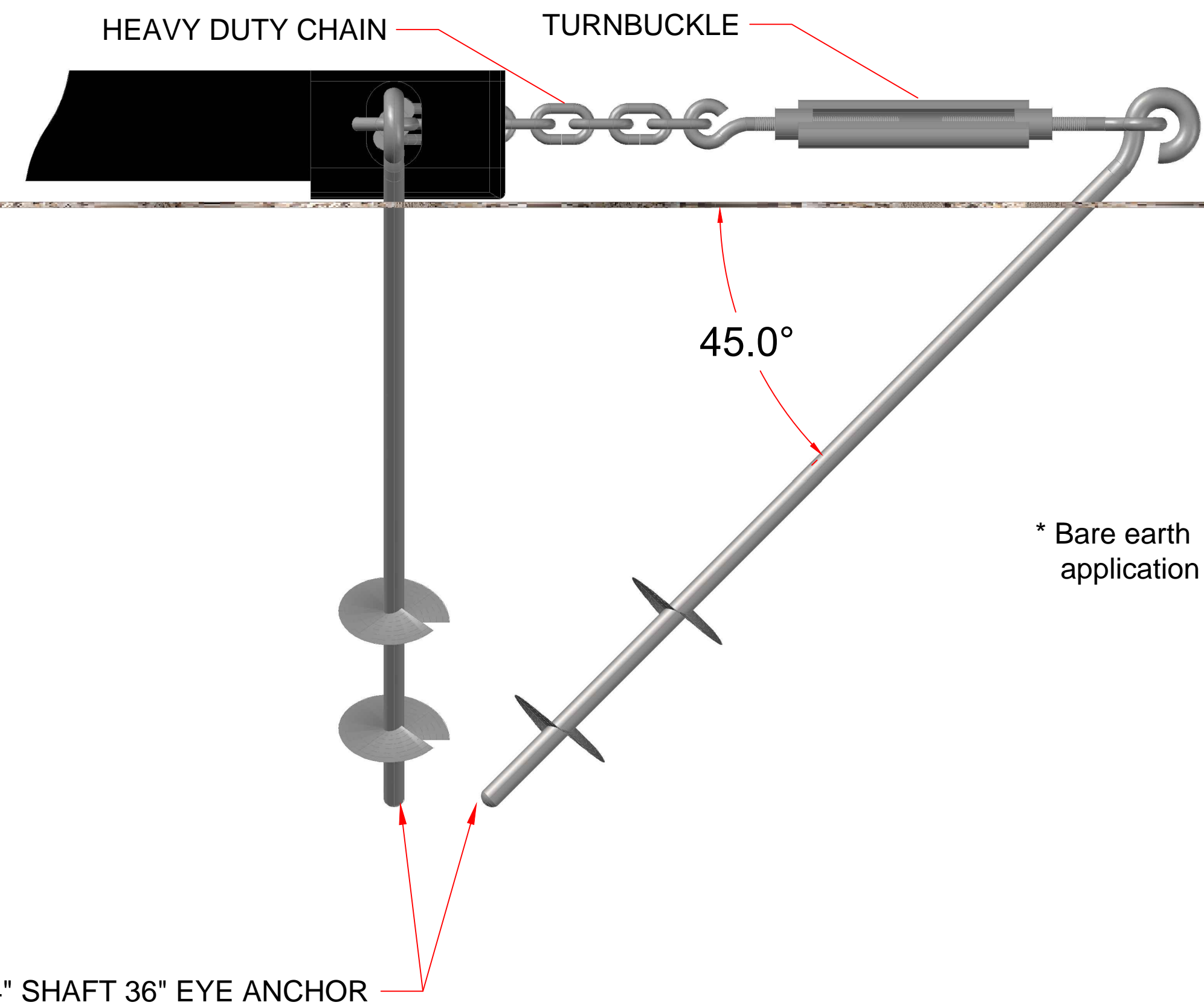


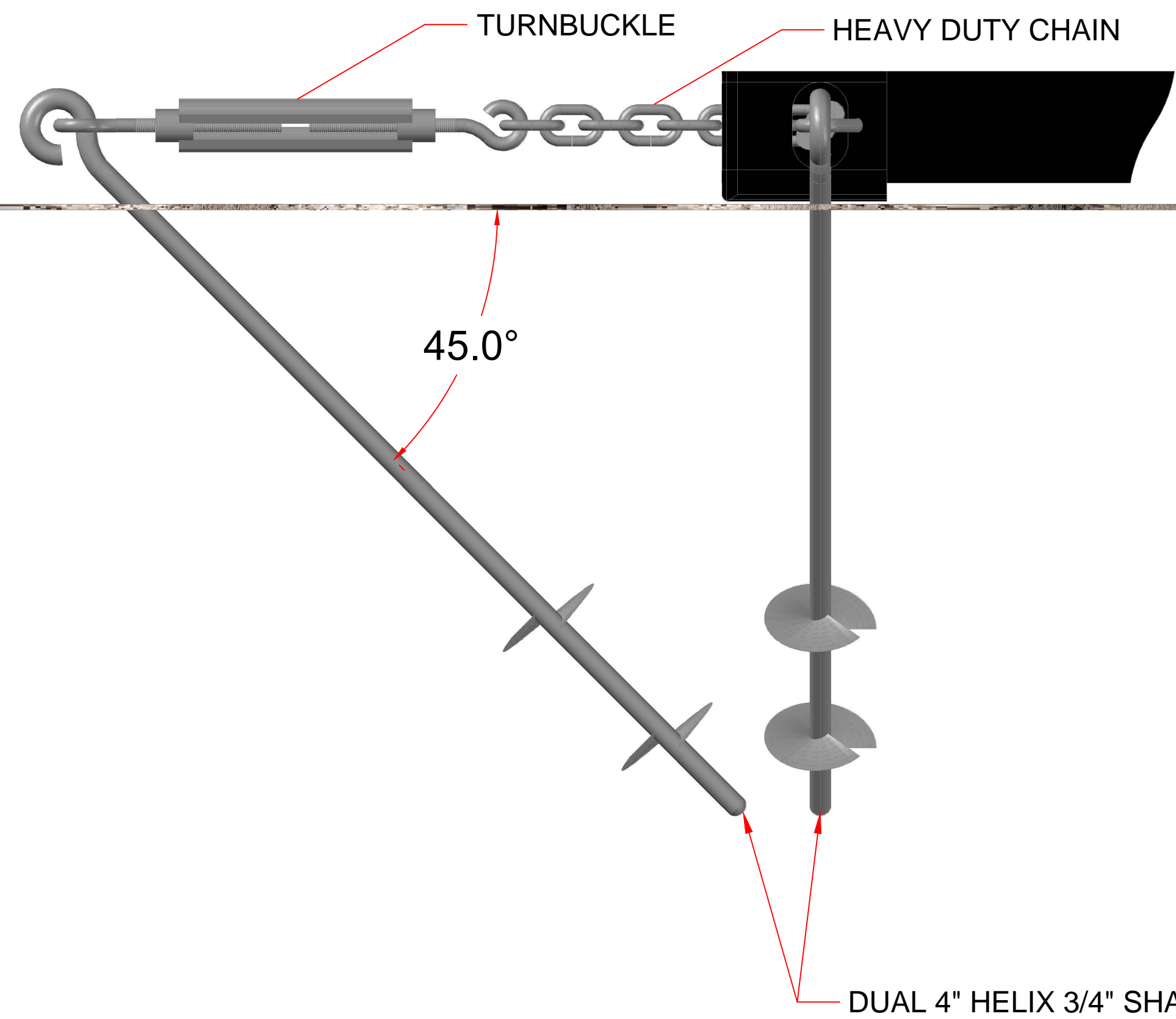
TWO DUAL 4" HELIX 3/4" SHAFT 36" EYE ANCHORS @ 45° X 4 (TYP.)

LEFT FRONT FACE EXAMPLE



DUAL 4" HELIX 3/4" SHAFT 36" EYE ANCHOR

RIGHT REAR SIDE EXAMPLE



DUAL 4" HELIX 3/4" SHAFT 36" EYE ANCHOR

REVISIONS	BY
00/00/00	AAA

WWW.MODULARTURNSTILEBUILDINGS.COM
 a Division of TURNSTILES.us
 8641 South Warhawk Rd. Conifer, CO 80433
 Sr. Eng. Carter J Carter Tel: 303-532-5228
 Pres. Patrick McAllister Tel: 303-670-1099

ANCHOR ASSEMBLY - Proposed	
CH2M HILL Englewood, CO 80112 Bedford, NJ Power Plant	
DWG #	122911_CH2M_NJ_PP
	12 / 29 / 11
CHK'D	-----
SCALE =	N/A
SHEET	1 OF 1